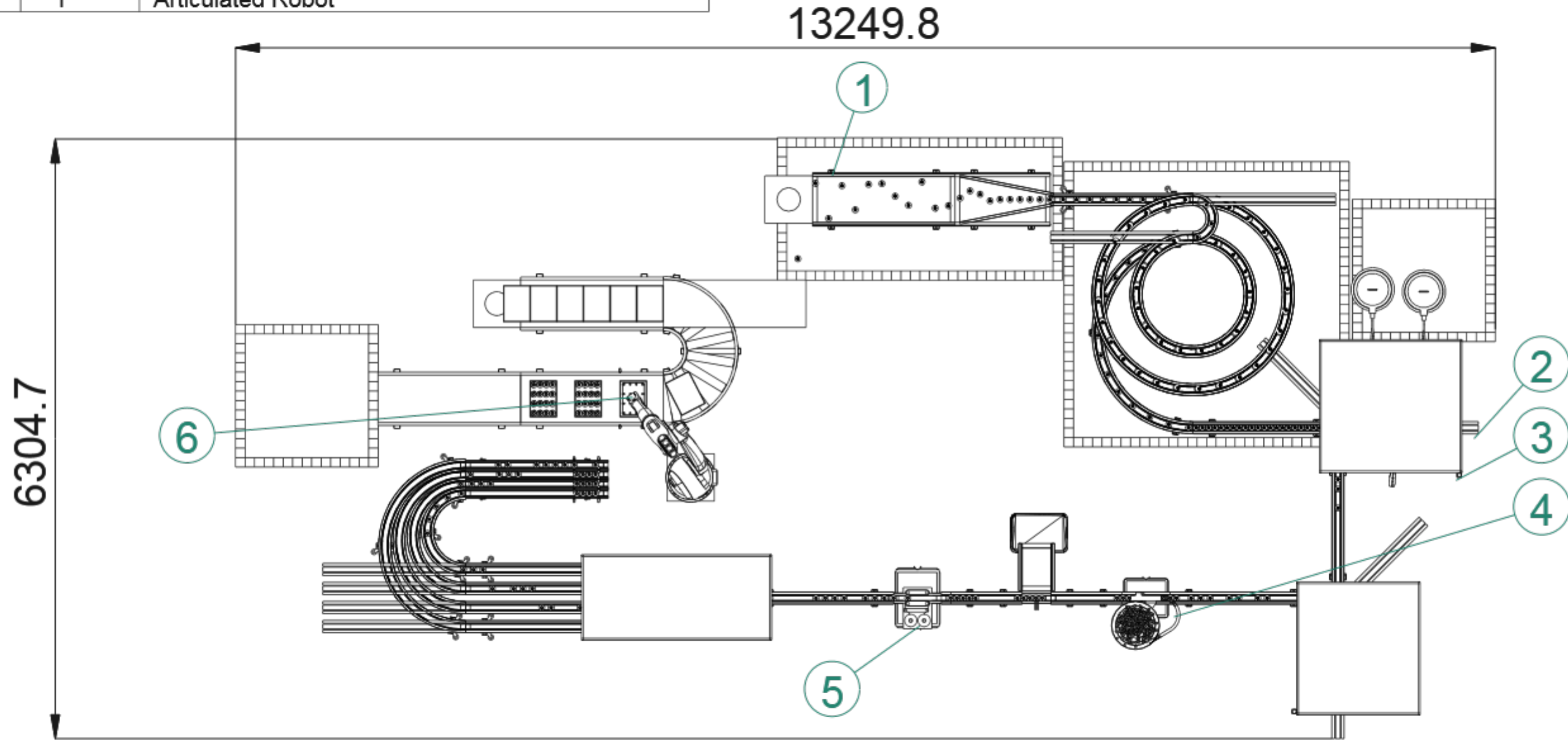


ITEM	QTY	NAME
1	24	Conveyor
2	13	Curve Conveyor
3	4	NewComponent
4	1	Bottle Batch Capper
5	1	Bottle Labeling Machine
6	1	Articulated Robot



UNLESS OTHERWISE SPECIFIED: DIMENSIONS ARE IN MILLIMETERS SURFACE FINISH TOLERANCES: LINEAR: ANGULAR:				FINISH:		DEBUR AND BREAK SHARP EDGES		DO NOT SCALE DRAWING		REVISION 1	
DRAWN				NAME		SIGNATURE		DATE		TITLE: Title Of	
CHKD											
APPVD											
MFG											
Q.A								MATERIAL: Aluminium		DWG NO. PNT001 - Part	
								WEIGHT: 100 kg		SCALE: 1:100	
										SHEET 1 OF 1	
										A3	